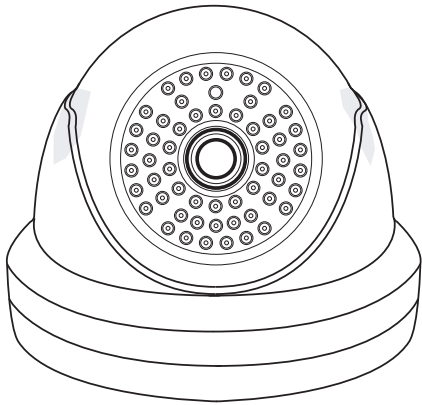


GIMBAL DOME CAMERA

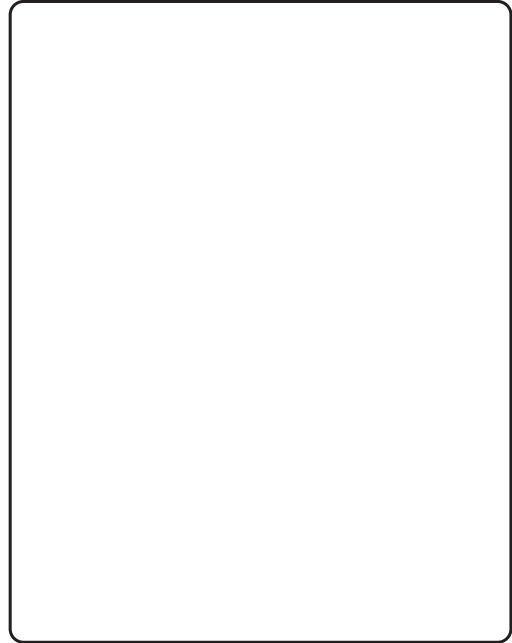
MEMO



KCE-DI1255

Key Features

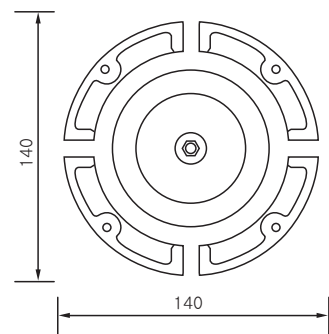
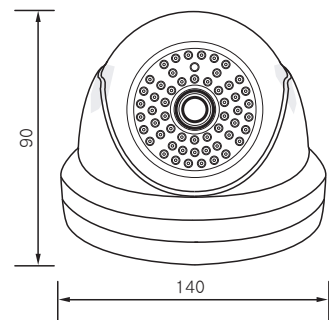
- 1/3" 960H Sony EXview HAD II CCD
- 700TV Lines
- 0.1Lux at F1.2
- Anti-IR Saturation



Specifications

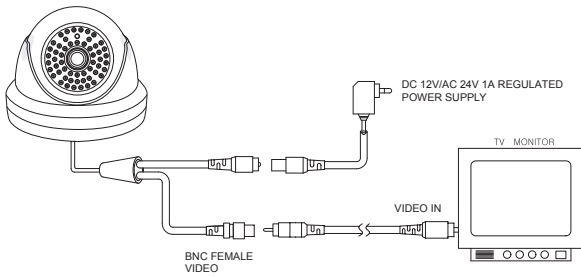
Dimension

DESCRIPTION	NTSC	PAL
Imaging Sensor	1/3" 960H Sony EXview HAD II CCD	
Effective Pixels	976(H) x 494(V)	976(H) x 582(V)
Scanning System	2:1 Interlace	
Synchronization	Internal	
Horizontal Resolution	700TV Lines(Max)	
Video Output	CVBS : 1.0Vp-p, 75Ω composite	
S/N (Y Signal)	52dB (AGC off)	
Min. Illumination	0.1Lux at F1.2	
Lens	6mm Fixed Lens	
Electronic Shutter	Auto (1/60~1/10,000sec)	Auto (1/50~1/10,000sec)
Backlight Compensation	Auto	
White Balance	ATW	
Auto Gain Control	Auto	
Day&Night	Auto	
IR LED	55EA	
Input Voltage	DC 12V(±10%) / AC 24V Dual Voltage(Optional)	
Power Consumption	IR OFF : 170mA(MAX) / IR ON : 650mA at DC 12V POWER	
	IR OFF : 250mA(MAX) / IR ON : 650mA at AC 24V POWER	
Operating Temp./Hum.	-10°C ~ +50°C / 30% ~ 80% RH	
Storage Temp./Hum.	-20°C ~ +60°C / 20% ~ 90% RH	



Connection of Camera

- ◆ Please connect either a video input of a monitor or a BNC input with the video output of this camera. 75 ohm switch must be set up state of "switch on" on a last monitor that you connected when you connect it with more than 2 monitors. Please choose a kind of cable depending on distance of connected device.
- ◆ Do not turn on a power before you finish to connect the camera with all devices.
- ◆ The output of the adaptor must be more than DC12V/AC24V 1A.



BNC CONNECTION(STANDARD)

Cautions in Installation

- ♣ Assemble the main body of the camera with lens quickly at a clear place to avoid dust.
- ♣ Be careful not to drop this camera and not to impact on it. CCTV camera is a precision machine.
- ♣ Do not install the camera opposite of the sun so that it be avoided direct light.
- ♣ The camera must be installed at a steady place without shaking or something else.
- ♣ Do not pull the cable. If you pull the cable, it will make electrical problems such as disconnection.
- ♣ Do not try to fix even if the camera does not work.
- ♣ Installation this camera at safety place where is no water. If the camera has some problems with water accidently, you have to contact A/S centre that sold the camera to you.
- ♣ The camera should be worked within a range of the allowable temperature that refers to specification.
- ♣ If you would like to relocate the already installed product, be sure to turn off the power and then move or reinstall it.
- ♣ Please contact the nearest A/S centre if you find out any problems. Please do not ignore any small problems they can become a big problem.